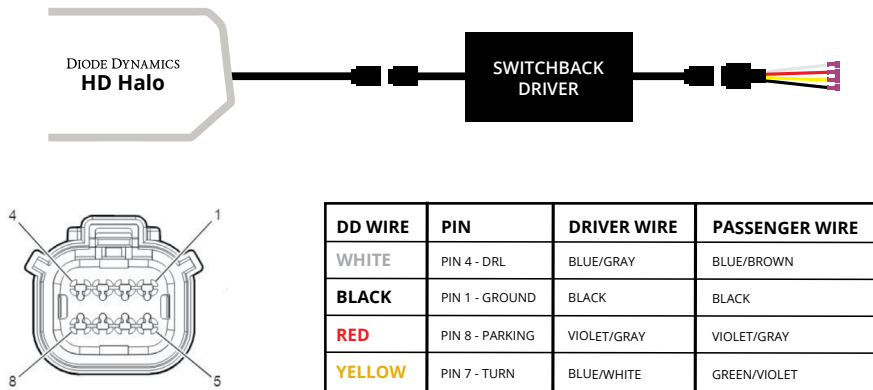


Wiring Instructions

8. Connect the halo connector to the Switchback driver output. Connect the Switchback driver input to the pigtail. Tap the pigtail wires to the wiring harness. See Wiring Method Diagram below. **The black wire must be grounded before any function will work.**



IMPORTANT: DO NOT plug the LED panel directly into pigtail without the driver. The LEDs must be plugged into driver first to control the power.

9. Mount driver and tuck all wires. Driver should be mounted outside of headlight for serviceability, in a location away from the engine block to avoid excessive heat buildup.

10. Test thoroughly, reseal headlight and reinstall onto vehicle.

NEED MORE HELP?

Scan the QR code to link to our installation video online!

We've taken the time to test our products on your vehicle. We can guarantee compatibility and fitment the first time – no guessing game! If you need more help with installation, watch our step-by-step video to walk you through the process.

YouTube



Please contact **Diode Dynamics** should you have any questions about the installation or wiring process, at **314-205-3033** (9a-5p CST) or **contact@diodedynamics.com**.

This installation guide is for the following SKUs:

DD2177 Sierra 2016 SB LED Halos

DD2240 Sierra 2016 Amber LED Halos

**100% SATISFACTION
GUARANTEE**

**3 YEAR
WARRANTY**



DIODE DYNAMICS

PERFORMANCE LIGHTING TECHNOLOGY

2016-2018 GMC Sierra HD LED Halos Installation Guide



DIODE DYNAMICS

2016-2018 GMC Sierra
HD LED Halos Installation Guide

Thank you for your purchase of this unique product for your GMC Sierra! With these computer-designed LED Halos, you will gain a much brighter, more uniform appearance compared to factory LED boards.

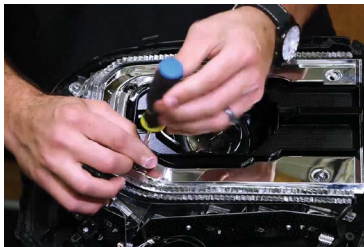


Please note: Headlights must be opened before proceeding with installation. This process can be completed by heating and prying the lens from the housing. We recommend viewing example videos online to understand the process however, professional installation is strongly recommended. Please contact Diode Dynamics if you need assistance locating an installer.

Tools Needed: Phillips screwdriver and double-sided adhesive or epoxy.



1. Before opening the headlight, remove the three Phillips screws holding the HID ballast in place and four Phillips screws around the edge of the headlight. Then remove the HID ballast.



2. After the headlight has been opened, remove the four Phillips screws holding the silver bezel in place. Remove the silver bezel and set it aside on a soft surface.



3. Remove the four Phillips screws holding the factory optic assembly in place. Then remove the factory optic assembly and disconnect the two factory board connectors. These connectors will not be reused, so tuck them out of the way.



[WATCH THE INSTALLATION VIDEO ONLINE!](#)

Scan the QR code on page 3



4. Reinstall the factory optic assembly using the original screws.



5. Place your new LED Halo on top of the factory optic assembly. We recommend using either double-sided adhesive or epoxy to adhere the halo to the factory optic assembly. Be sure to place whatever adhesive you choose evenly around the halo to ensure secure placement.



6. Route the wire outside of the headlight, sealing any holes you may create. Reinstall the silver bezel using the original screws. Repeat the process for the other headlight.

See back for further instructions.