

# INSTALLATION GUIDE



# Power Step

MADE IN USA



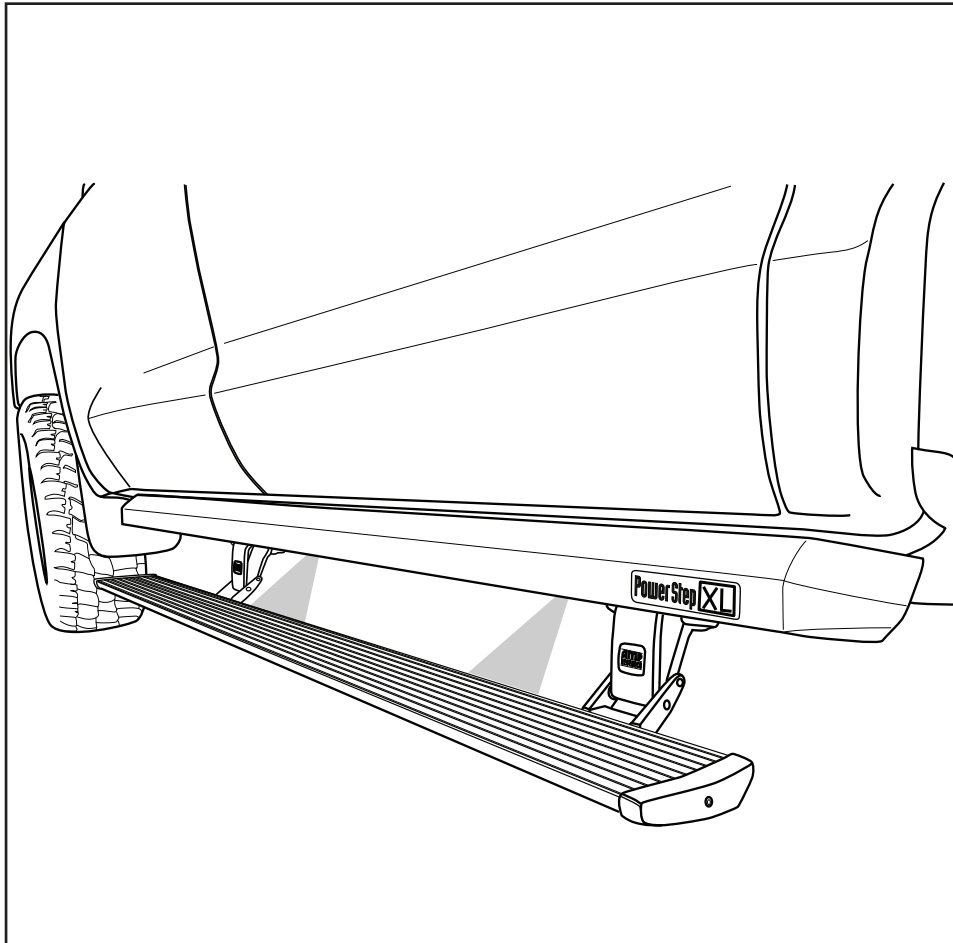
## APPLICATION

AMP Part#

Chevrolet Silverado 1500/GMC Sierra 1500 - Crew Cab 2014-2018 77154-01A

Chevrolet Silverado 2500/3500 - Crew Cab 2015-2019 77154-01A (Gas Only)

**Note: The application works only on the Crew Cab model Vehicles.**



## INSTALLATION TIME

**3-5 Hours**

Professional installation recommended

## SKILL LEVEL



4= Experienced

## TOOLS REQUIRED

- Safety goggles
- Measuring tape
- Power Drill
- 10 mm socket
- 13 mm socket
- 1/2" socket
- Ratchet wrench and extension
- Wire crimpers
- Wire stripper / cutter
- 3/16" hex key wrench (allen wrench)
- 4mm hex key wrench ( allen wrench )
- Electrical tape
- Weather proof caulking (silicone sealer)
- Silicone spray

## WARRANTY

**5-Year Limited Warranty**

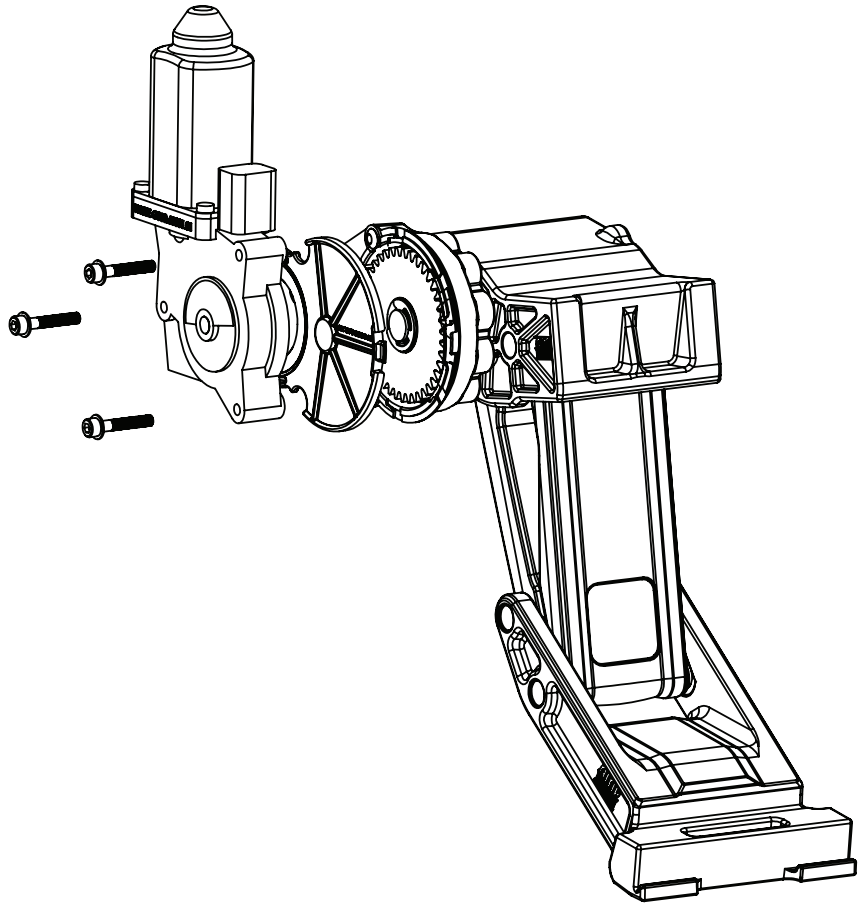
AMP RESEARCH TECH SUPPORT 1-888-983-2204 (Press 2) Monday - Friday, 7:00 AM - 5:00 PM PST

Invented, engineered and manufactured exclusively by AMP Research in the USA. May be covered by one OR MORE of the following patents: 6,641,158; 6,830,257; 6,834,875; 6,938,909; 7,055,839; 7,380,807; 7,413,204; 7,398,985; 7,584,975; 7,566,064; 7,487,986; 8,157,277; 8,408,571; 9,302,626; 9,561,751; 10,053,017; CA2463717 ©2012 AMP Research. All rights reserved. Printed in USA.

## INSTALLATION GUIDE

Attaching motor to Linkage assembly.

## EXPLODED VIEW



Motor

Socket cap screw

Washer

Drive Gear Housing Cover

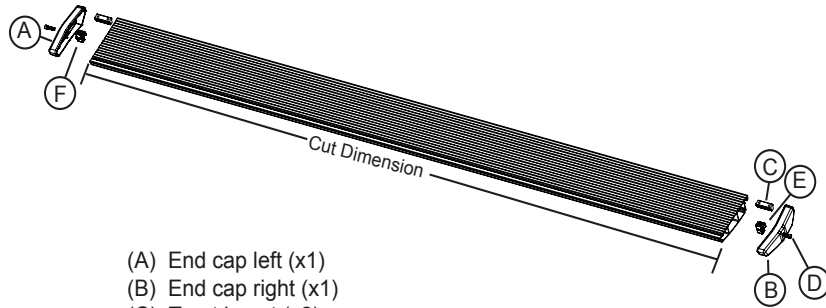
**CAUTION: HANDLE WITH CARE.**

To ensure our customers receive all components with full integrity, we pack the motors separate from their linkage assemblies. This requires that the installer position and fasten the motor before continuing with the install. Please follow the instructions below and handle the assembly carefully.

CAUTION: Dropping the assembly or any excessive impact MAY cause damage to the motor.

Instructions:

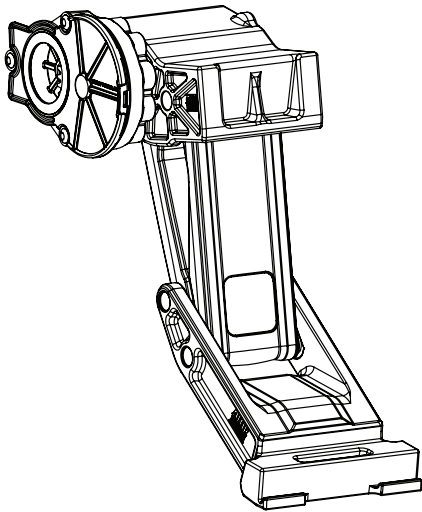
1. Position the gear cover in place as shown if not already in place.
2. Seat motor into position on the three mounting bosses. This may require an adjustment of the gear by moving the swing arms.
3. After seating into place, fasten the motor with the three motor mount screws with 4mm Hex Head. Tighten screws to 36 in-lbs (4N-m). **Do not over torque.**



- (A) End cap left (x1)
- (B) End cap right (x1)
- (C) T-nut insert (x2)
- (D) Socket cap screw (x2)
- (E) End cap wedge right (x1)
- (F) End cap wedge left (x1)

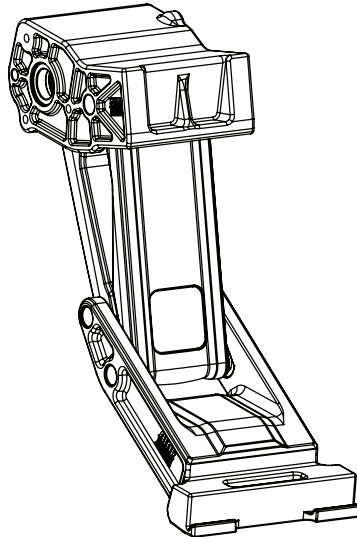
1 x2

Running board assembly



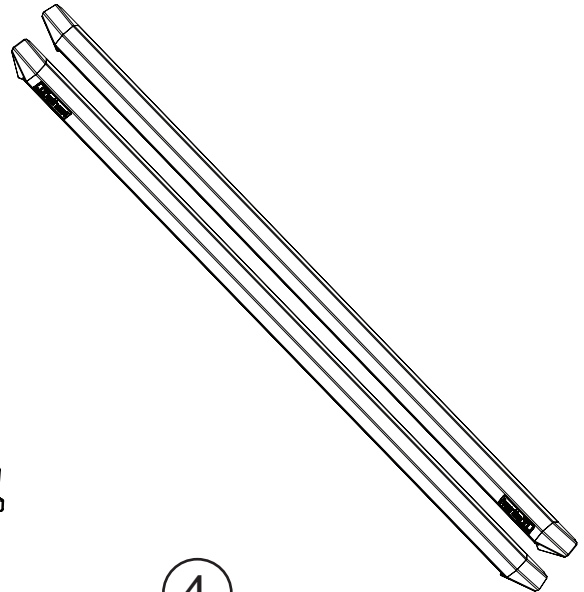
2 x2

Motor Linkage assembly



3 x2

Idler Linkage assembly



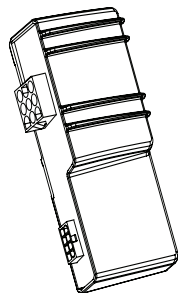
4 x2

Rail Assembly



5

Wire harness



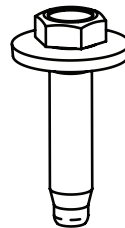
6

Controller STA



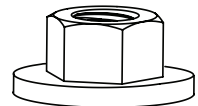
7 x2

Posi-Lock™



8 x20

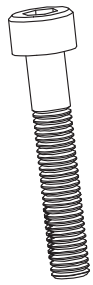
M8 Hex Bolt w  
Conical washer



9 x6

M8 Nut w Conical  
washer

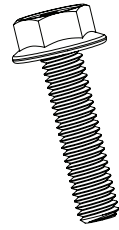
AMP RESEARCH POWERSTEP™ – CHEVROLET / GMC



10 x6  
M5 Hex Bolt



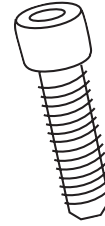
11 x6  
M5 Washer



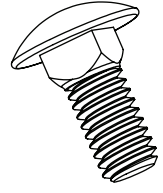
12 x4  
M6 Flange Bolt



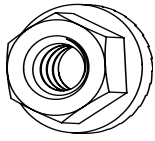
13 x6  
M8 U-nut



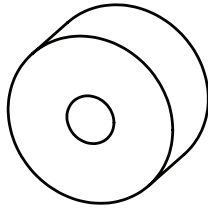
14 x8  
Socket Cap Screw



15 x10  
5/16-18  
Carriage Bolt



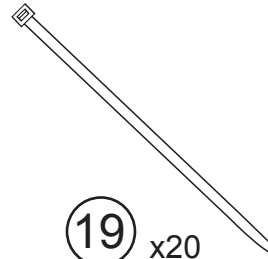
16 x10  
5/16-18  
Flange nut



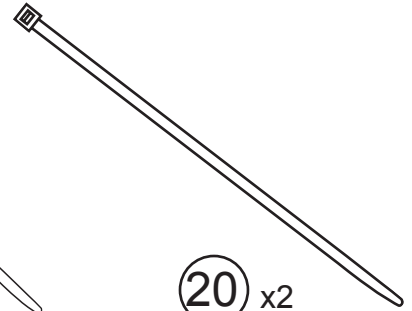
17 x4  
Upper Mount  
Spacer



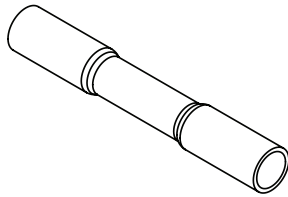
18  
Grommet



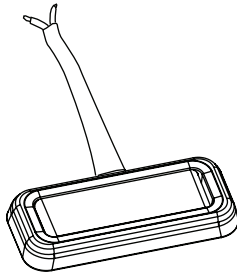
19 x20  
Cable tie (7")



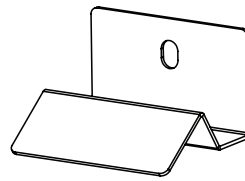
20 x2  
Cable tie (11")



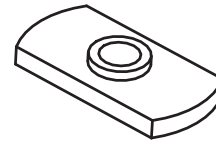
21 x8  
Butt Connector



22 x4  
LED Lamp



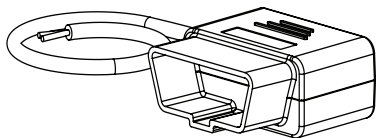
23 x4  
LED Light Bracket



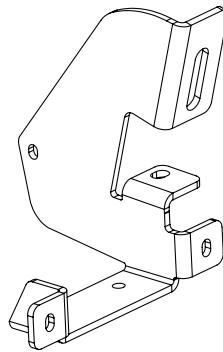
24 x4  
Nut Plates



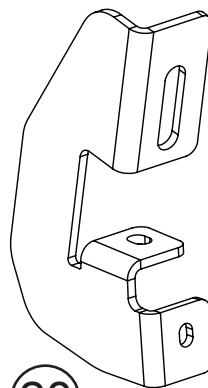
25 x4  
Button Head  
Bolts



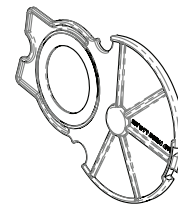
26  
OBD II Plug



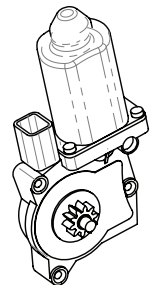
27 x4  
Linkage Mounting  
Bracket



28 x2  
Rail Mounting  
Bracket



29 x2  
Gear Cover

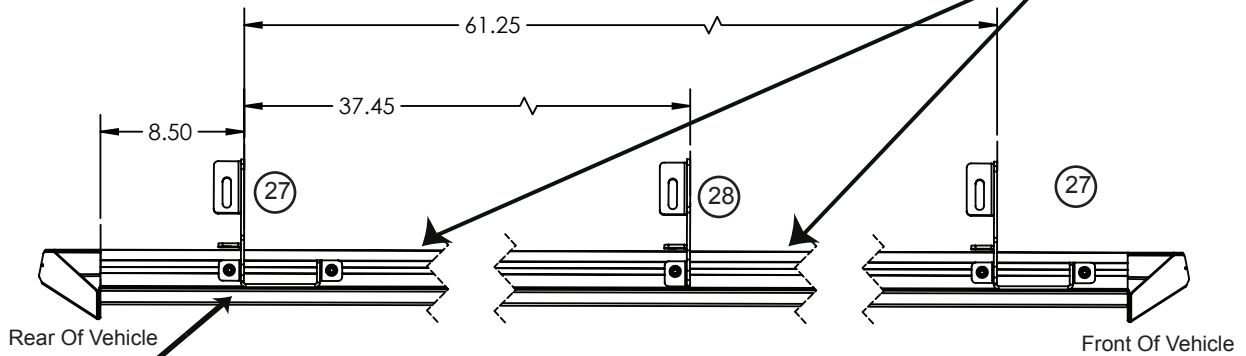
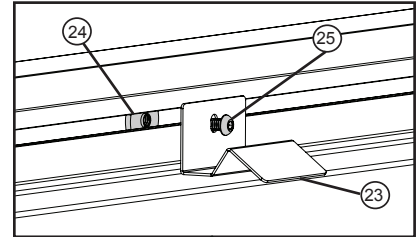
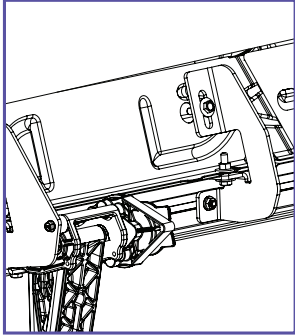


30 x2  
Motor

## AMP RESEARCH POWERSTEP™ – CHEVROLET / GMC

Insert and position Carriage bolts (15) into slot on rail (4). Insert from either end of rail. Using Flange Nuts (12) provided assemble Brackets 2x (27) & 1x (28) onto the rail (4). Driver side shown. Dimensions shown are for reference. Insert Threaded nut plate onto rail pocket. Light brackets will need to go rearward of Front linkage bracket and forward of Rear linkage bracket. Leave loose to allow for adjustment.

**Do not tighten this will allow for rail adjustment when mounted onto vehicle. See note below for HD models.**

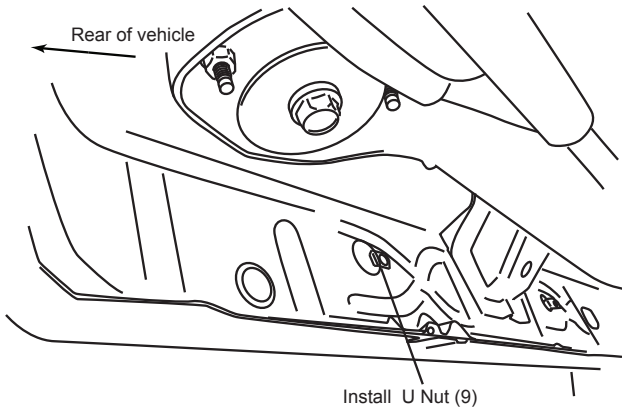


**NOTE: 2500/3500HD Models-Rear mount on passenger side of vehicle will need to be moved forward from last mounting hole to second to last hole. Approx 15-1/4".**

**Note: Badge on rail sits towards the rear of the vehicle!**

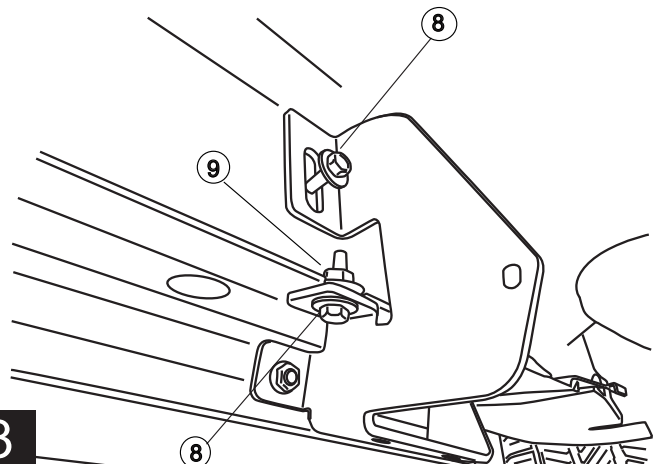
**1**

Insert U-Nut in last sheetmetal tab / hole from front.



**2**

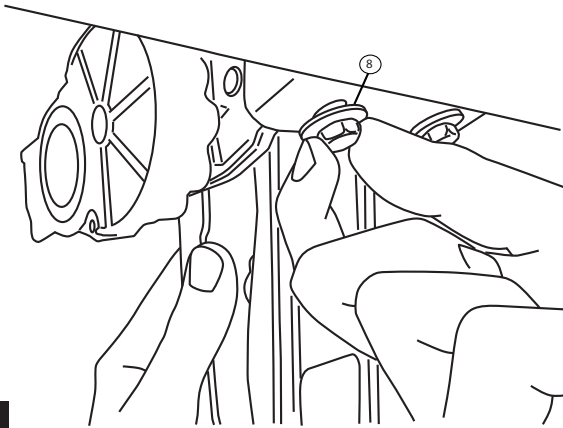
Set rail up into position. Starting with the rear bracket work towards the two front brackets. Attach Bolts 2x (8) and Nut 1x (9). Snug to body do not tighten!  
**Note: Forward and middle bracket may not need nut if threaded insert is present.**



**3**

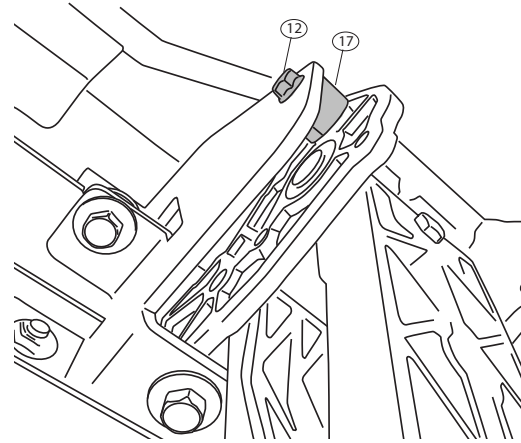
## AMP RESEARCH POWERSTEP™ – CHEVROLET / GMC

Thread supplied bolts 2x (8) into Rear Drive Linkage. Repeat step for Front Idler Linkage. Do not tighten.



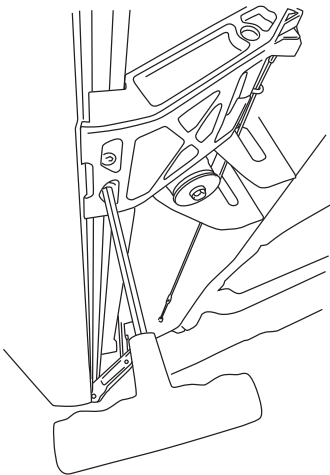
4

Install provided spacer (17) and M6 bolt (12) into upper mount as shown on both the Drive and Idler linkages. Do not tighten.



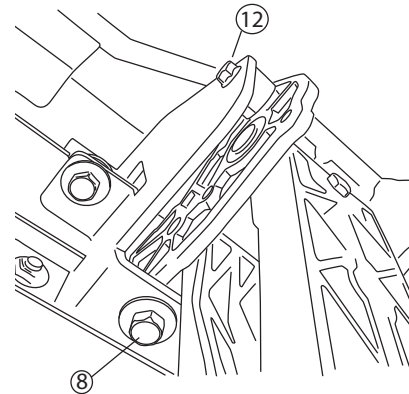
5

Slide mounting T-nut into position, Center board in rail pocket. Tighten fasteners to 10 ft-lbs.



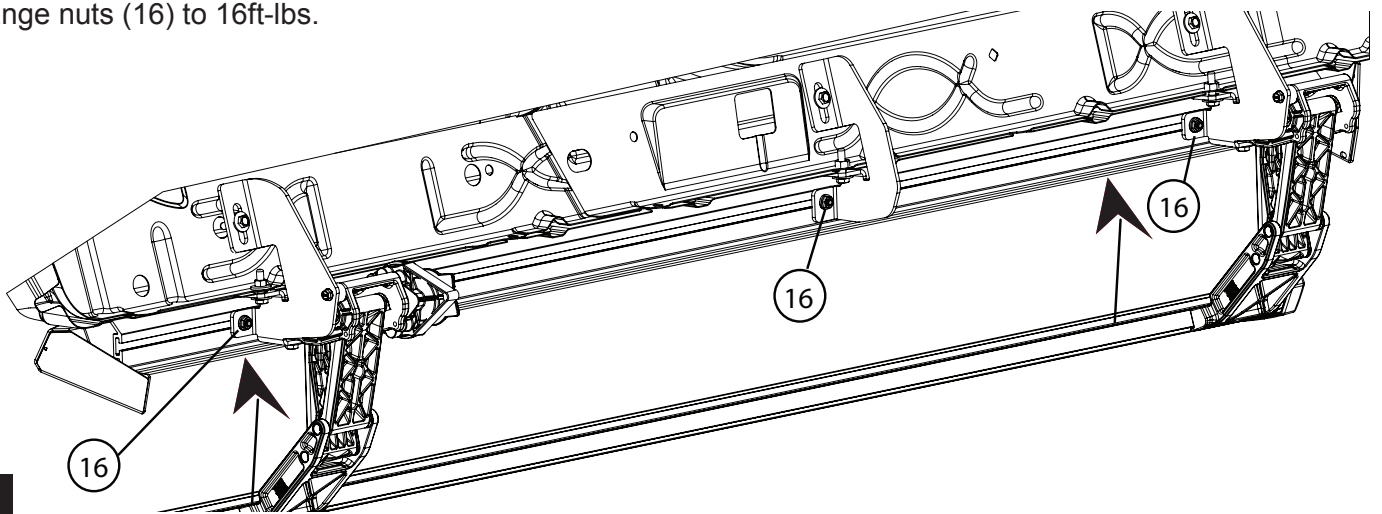
6

Using a 13mm socket Torque linkage bolts 4x (8) from step 5 to 16 ft-lbs Next use a 10mm socket, torque linkage spacer bolt 2x (12) from step 6 to 8 ft-lbs.



7

Verify rail clearance at front fender trim and push upwards on rail to ensure rail is snug to the bottom of the linkage mounting bracket. Using a 1/2" socket start at the rear of vehicle and work forward. Torque 5 flange nuts (16) to 16ft-lbs.

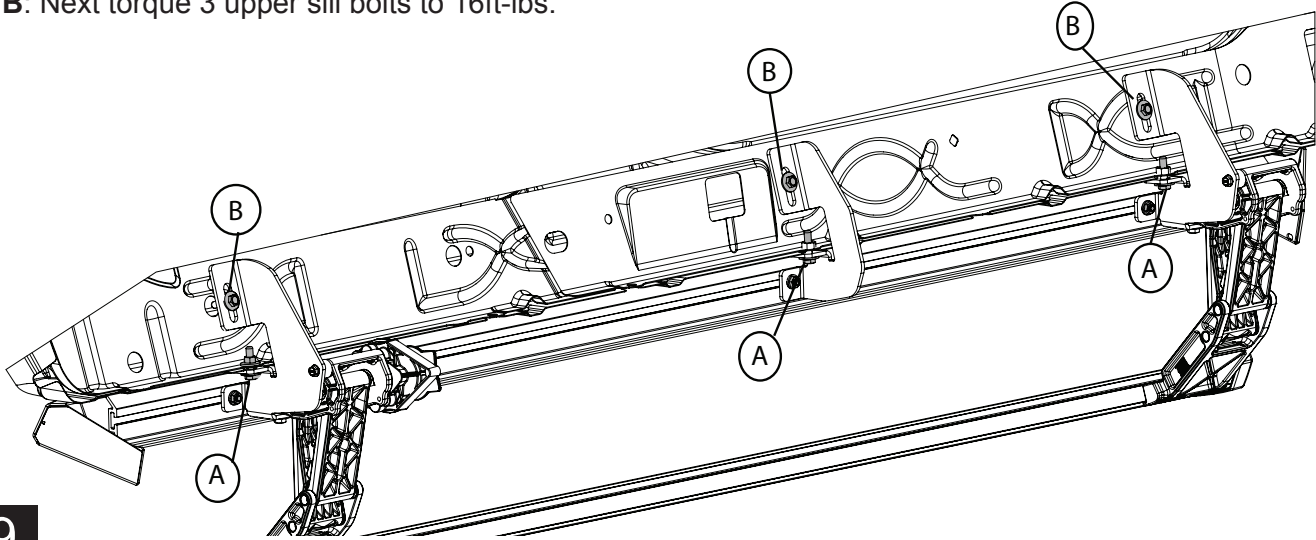


8



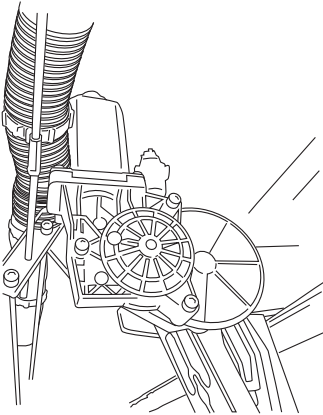
AMP RESEARCH POWERSTEP™ – CHEVROLET / GMC

**A:** Using a 13mm socket tighten 3 bolts along pinch weld first. Torque to 16ft-lbs.  
**B:** Next torque 3 upper sill bolts to 16ft-lbs.



9

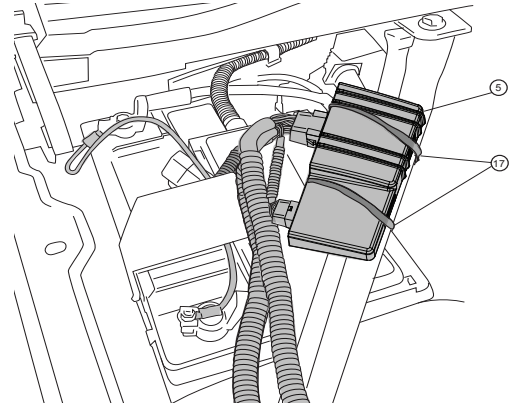
Attach motor to linkage. Using a 4mm hex Torque to 36 in-Lbs.



10

Using the two 11" cable ties, mount controller to support arm next to battery. Plug in harness (Ensure that locking tabs engage)

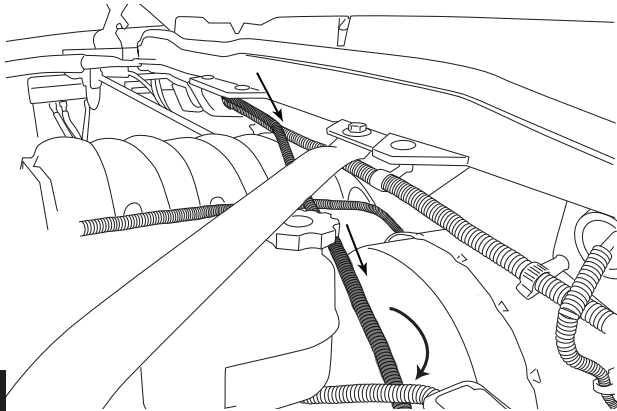
**CAUTION:** Do not ground wrench when engaged with nut.



11

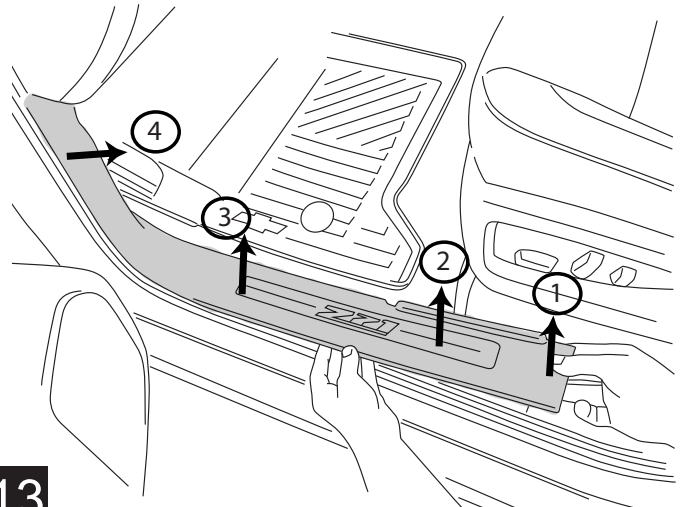
Remove power fuse. Attach power lead (RED wire) to positive pole on the battery. Attach ground lead to negative battery pole.

Route long end of wire harness above engine and down through drivers side wheel well. Zip tie harness to cowling clips on fire wall. Route short end down passengers side.



12

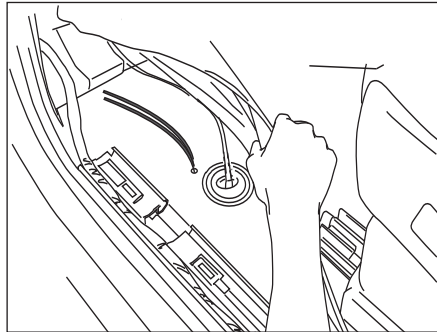
Pull up front door sill plate covers as shown.



13

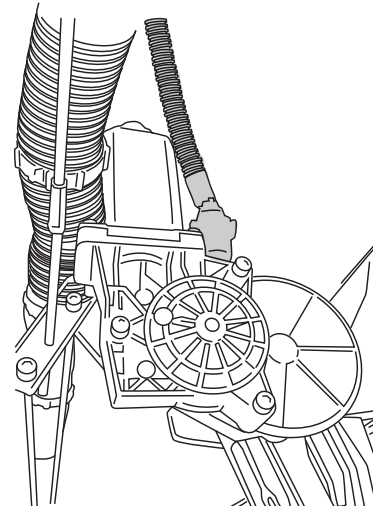
Route wire harness along the frame and back towards rear linkages. Secure with zip ties. Push both wires through rubber grommets.

NOTE: Seal holes with silicone glue and cover with tape so carpet does not stick to glue.



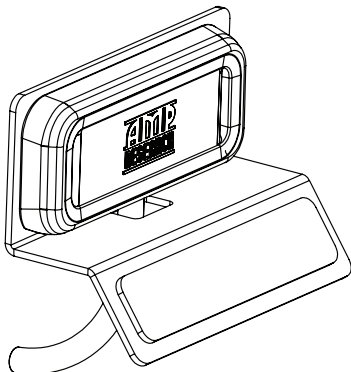
14

Connect harness to motor. Secure harness with tie wraps.



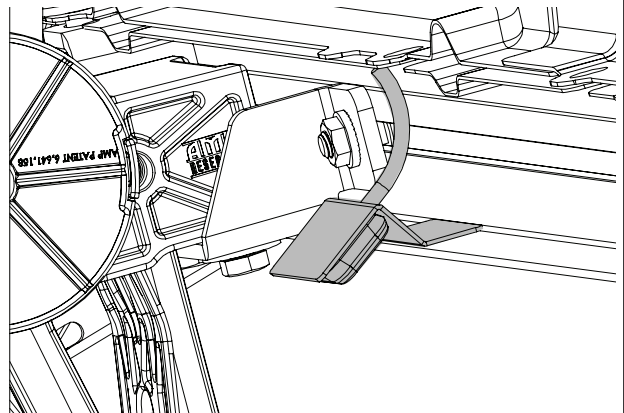
15

Affix LED lamp (22) to LED Bracket (23) as shown..



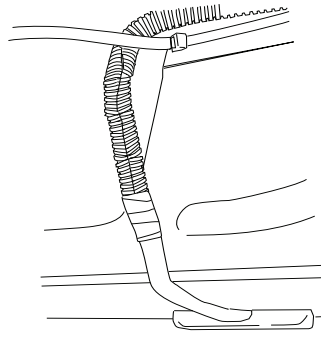
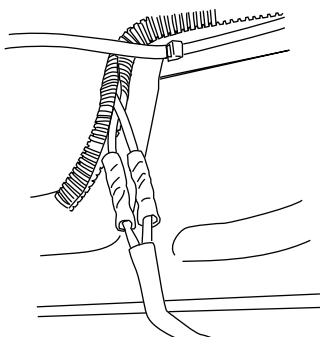
16

Affix LED light bracket assembly to rail. Mount front light rearward of front linkage and mount rear light just forward of rear linkage.



17

Using supplied butt connectors, connect the lamp wires. Red to Red, Black to Black. Once Crimped use heat gun to shrink tube. Close and wrap conduit with electrical tape. Secure all loose wires with cable ties. Pull lamp wires upward to avoid any wire snagging.



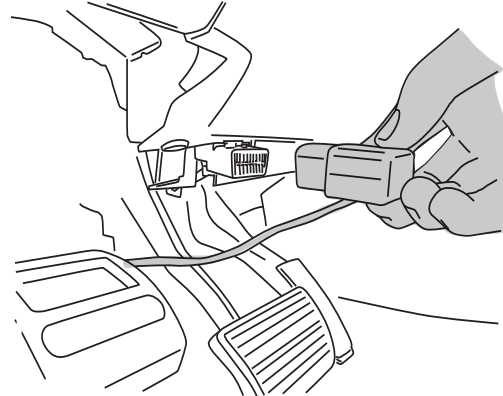
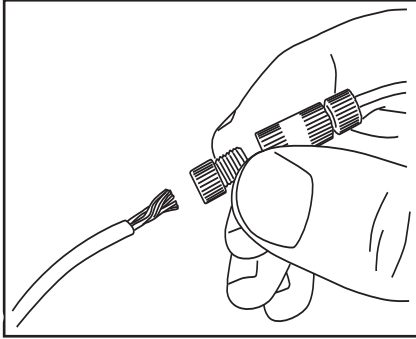
18



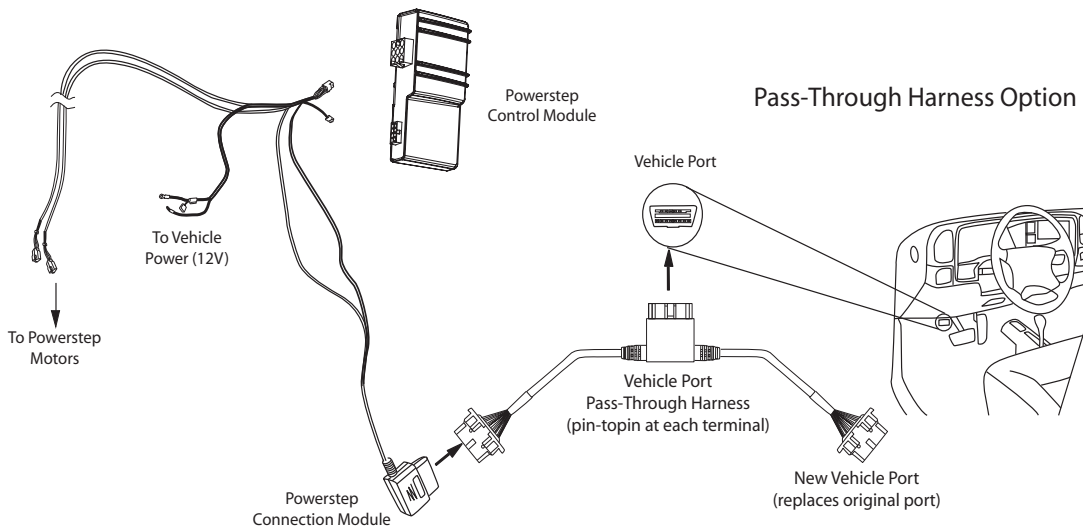
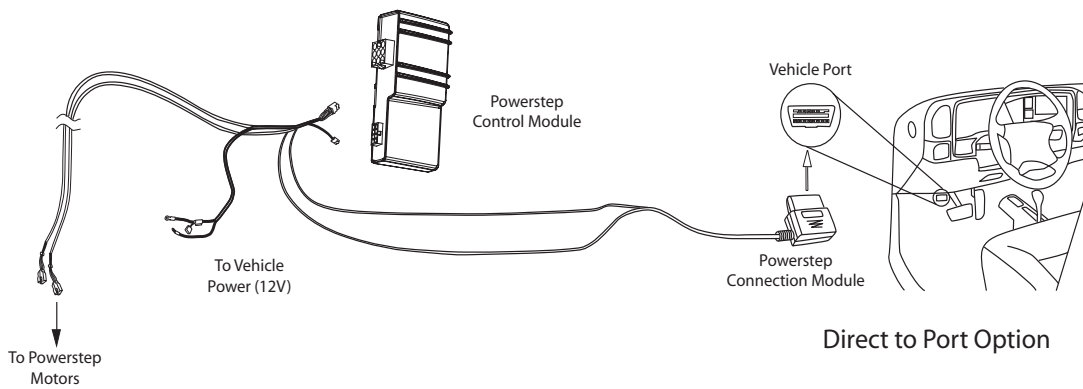
AMP RESEARCH POWERSTEP™ – CHEVROLET / GMC

**OBD II install:** Use Supplied Posi Twist connectors to attach the Plug and Play Module to the Harness. Attach matching colors on the harness to the wires on the module. Plug in module to OBD II port on the vehicle. Secure harness with supplied tie wraps.

**Note:** If the OBD II pass thru harness (76404-01A) was purchased see install sheet supplied in packaging. The pass through harness allows for an open port for other accessories. See next page for a brief description.

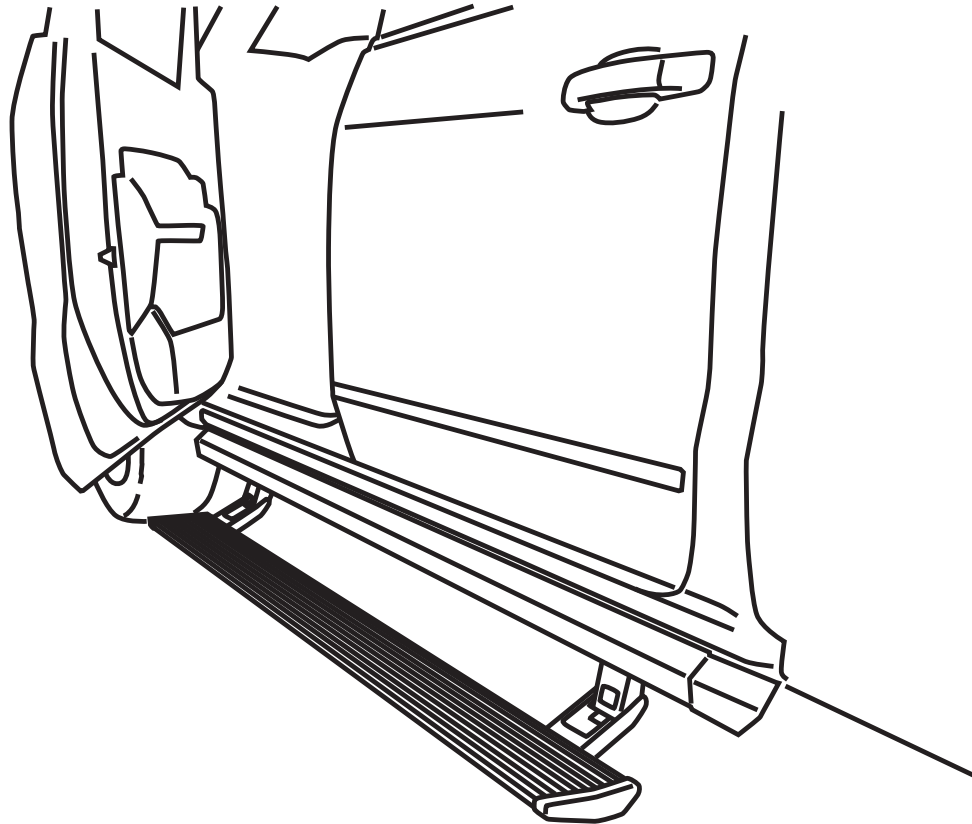


19



20

Check that all doors activate the Power Step and the LED Lights work when doors open and close. Reinstall any remaining trim panels.



#### FINAL SYSTEM CHECK

Check that all doors activate the PowerStep and the LED lights work when doors open and close.

**NORMAL OPERATION:** When the doors open, PowerStep automatically deploys from under the vehicle. When the doors are closed, PowerStep will automatically return to the stowed/retracted position. ***Note that there is a 2-second delay before the PowerStep returns to the stowed/retracted position.***

**CORRECT OPERATION OF LIGHTS:** All four lamps will illuminate upon opening any door of vehicle. Lamps will stay on until restowing of both Power Steps or until 5 minutes has expired with the doors open. When the lights timeout after 5 minutes, they can be reilluminated by closing and opening any door of vehicle.



# PowerStep™

AMERICAN DESIGNED, ENGINEERED AND MANUFACTURED.

**Thank you for your recent AMP Research Purchase.**

**REGISTER YOUR PRODUCT TODAY FOR  
FASTER SERVICE & PRODUCT UPDATES**

Please visit:

**[www.amp-research.com/productregistration](http://www.amp-research.com/productregistration)**

or scan the QR Code



**Product Registration Benefits:**

- Ensure we have your purchase receipt and product info in our system which is required for warranty
- Faster and easier access to customer service and tech support in the unlikely event you need warranty or product support
- Registration helps us keep you up to date on product information and offers

To view other Amp Research products that may be offered for your vehicle.

**Please visit: [www.amp-research.com](http://www.amp-research.com)**

Rev 01.05.21

**POWER-DEPLOYABLE RUNNING BOARDS OPERATION:** AMP Research PowerStep running boards automatically move when the doors are opened to assist entering and exiting the vehicle.



**Automatic power deploy:**

The running boards will extend down and out when the doors are opened.

**Automatic power stow:**

The running boards will return to the stowed position when the doors are closed. There will be a 2-second delay before the running boards move to the stowed position.

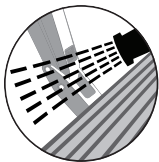
**Automatic stop:**

If an object is in the way of the moving running board, the running board will automatically stop. To reset, clear any obstruction, then simply open and close the door to resume normal operation.



**Manually set in the deployed (OUT) position for access to the roof:**

The running boards can be manually set in the deployed position by firmly holding the step down with your foot while at the same time closing the door. To resume normal operation, open and close the door.



**Maintenance:** In adverse conditions, debris such as mud, dirt, and salt may become trapped in the running board mechanism, possibly leading to unwanted noise. If this occurs, manually set the running boards to the deployed position and flush the front and rear hinge arms with a high-pressure car wash wand. Avoid spraying the motors directly. After washing, apply silicone spray lubricant to the hinge pivot pins. Do not apply silicone, wax or protectants like Armor All® to the running board stepping surface.

**Caution!** Keep hands away when the running board is in motion.

## 5-YEAR LIMITED WARRANTY

AMP RESEARCH warrants this product to be free from defects in material and workmanship for FIVE (5) YEARS FROM DATE OF PURCHASE, provided there has been normal use and proper maintenance. This warranty applies to the original purchaser only. All remedies under this warranty are limited to the repair replacement of the product itself, or the repair or replacement of any component part thereof, found by the factory to be defective within the time period specified. The decision to repair or replace is wholly within the discretion of the manufacturer.

This warranty specifically excludes labor. If you have a warranty claim, first you must call our factory at the number below for instructions. You must retain proof of purchase and submit a copy with any items returned for warranty work. Upon completion of warranty work, if any, we will return the repaired or replaced item or items to you freight prepaid. Damage to our products caused by accidents, fire, vandalism, negligence, misinstallation, misuse, Acts of God, or by defective parts not manufactured by us, is not covered under this warranty.

ANY IMPLIED WARRANTIES OF MERCHANTABILITY AND/OR FITNESS FOR A PARTICULAR PURPOSE CREATED HEREBY ARE LIMITED IN DURATION TO THE SAME DURATION AND SCOPE AS THE EXPRESS WRITTEN WARRANTY. OUR COMPANY SHALL NOT BE LIABLE FOR ANY INCIDENTAL OR CONSEQUENTIAL DAMAGE.

Some states do not allow limitations on how long an implied warranty lasts, or the exclusion or limitation of incidental or consequential damages, so the above limitations or exclusions may not apply to you. This warranty gives you specific legal rights, and you may also have other rights that vary from state to state.

**FOR WARRANTY ISSUES WITH THIS PRODUCT PLEASE CALL AMP RESEARCH CUSTOMER SERVICE 1-888-983-2204**

## WARNING

Be sure to read and precisely follow the provided instructions when installing this product. Failure to do so could place the vehicle occupants in a potentially dangerous situation. After installing or reinstalling, re-check to insure that the product is properly installed.



The material that your product is made from can be recycled. Please also consider recycling the packaging that your product came in.

