

PARTS INCLUDED

- 1PC** Mishimoto Aluminum Radiator
- 1PC** Mounting Hardware

TOOLS NEEDED

- 7mm Socket
- 10mm Socket
- 13mm Socket
- 10mm Wrench
- 19mm Wrench
- 1/4" Drive Ratchet & Extension
- Pop-Clip Removal Tool
- Pick Tool
- Pliers

INSTALL TIME 3 Hours

INSTALL DIFFICULTY 

DISCLAIMER

- Raise vehicle only on jack stands or on a vehicle lift.
- Allow vehicle to cool completely prior to attempting installation.
- Do not run the engine or drive the vehicle while overheating; serious damage can occur.
- Please dispose of any liquids properly.
- Mishimoto is not responsible for any vehicle damage or personal injury due to installation errors, misuse, or removal of Mishimoto products.
- Mishimoto suggests that a trained professional install all Mishimoto products.

INSTALL PROCEDURE

1. Remove the air duct that covers the radiator.
(4x 7mm screws)



2. Loosen the clamps on the intake to remove it. Disconnect the MAF sensor and vacuum ports in the process. To disconnect the MAF sensor, lift the red tab and then depress the black tab at the center. (2x worm gear clamps)



3. Free the airbox from the side fender.
(2x 10mm bolts)



4. Drain the coolant from your radiator. Unscrew the expansion tank cap during the draining process.



CONTINUED ON FOLLOWING PAGE

01

2014–2019 CORVETTE PERFORMANCE ALUMINUM RADIATOR INSTALLATION GUIDE



5. Compress the clamps on each end of the upper radiator hose and reposition them along the hose. Slide the upper radiator hose off each port to remove it. (2x spring clamp)



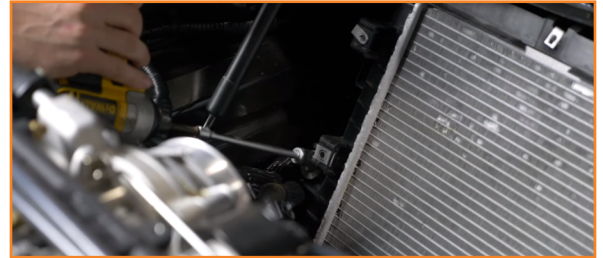
6. Compress the clamps on each end of the lower radiator hose and reposition them along the hose. Slide the lower radiator hose off each port connection. To completely remove the hose, separate the two clips connected to the fan shroud. (2x spring clamps, 2x pop-clips)
7. Separate the small hoses clipped to the fan shroud. (2x pop-clips)



8. Disconnect the electrical connector for the fan shroud and free its wiring harness.



9. Remove the bolts that secure the fan shroud to the radiator. With the fan shroud free, pull it out of the engine bay. (2x 10mm bolts)
10. Remove the bolts that secure the radiator. (2x 13mm bolts)



11. Pick the clip from the quick-disconnect attached to the radiator. Then separate the quick-disconnect from the radiator. (1x spring clip)



12. Separate the fluid purge quick-disconnect from the radiator.



13. Release the AC line. Lift the tab that secures it.

CONTINUED ON FOLLOWING PAGE

02

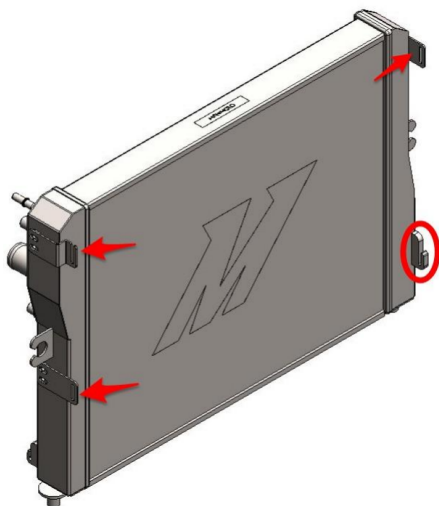
2014-2019 CORVETTE PERFORMANCE ALUMINUM RADIATOR INSTALLATION GUIDE



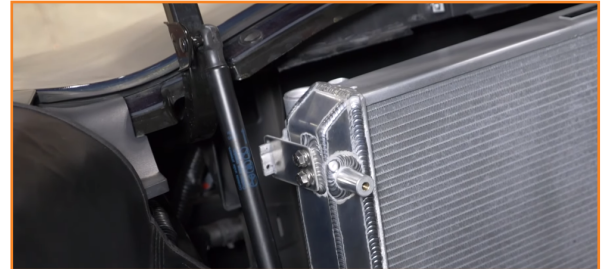
14. Release the tabs that secure the AC condenser to the radiator.
15. Lift the radiator out of the vehicle.
16. Transfer the rubber bushings and grommets onto the Mishimoto radiator.



17. Ensure the drain plug is snug and lower the radiator into the engine bay.
18. Set the AC condenser onto the radiator's lower hook as shown in the image below. You'll also notice the bracket setup, indicated by the arrows, which will be used to secure the condenser.



19. Secure the AC condenser to the radiator using the provided brackets and hardware. (6x 10mm bolts)



20. Reinstall the fan shroud. Engage the bottom of the fan shroud with the brackets on the radiator. (2x 10mm bolts)
21. Reconnect the fan shroud electrical connector and secure the wiring. (1x pop-clip)
22. Attach the quick-disconnect on the lower left side of the radiator. (1x spring clip)
23. Reinstall the lower radiator hose. (2x spring clamps)
24. Reinstall the upper radiator hose. (2x spring clamps)
25. Secure the heat exchanger and turbocharger lines to the fan shroud
26. Attach the quick-disconnect for the fluid purge.
27. Reinstall the airbox and intake. (2x 10mm bolts, 2x worm gear clamps)
28. Reconnect the MAF sensor.
29. Reattach the vacuum port.
30. Secure the radiator with the original hardware. (2x 13mm bolts)
31. Reinstall the ducting over the radiator. (2x 10mm bolts, 2x 7mm screws)
32. Refill your cooling system with the correct coolant.

Congratulations! You have finished installing the Mishimoto 2014-2019 Corvette Performance Aluminum Radiator.

03