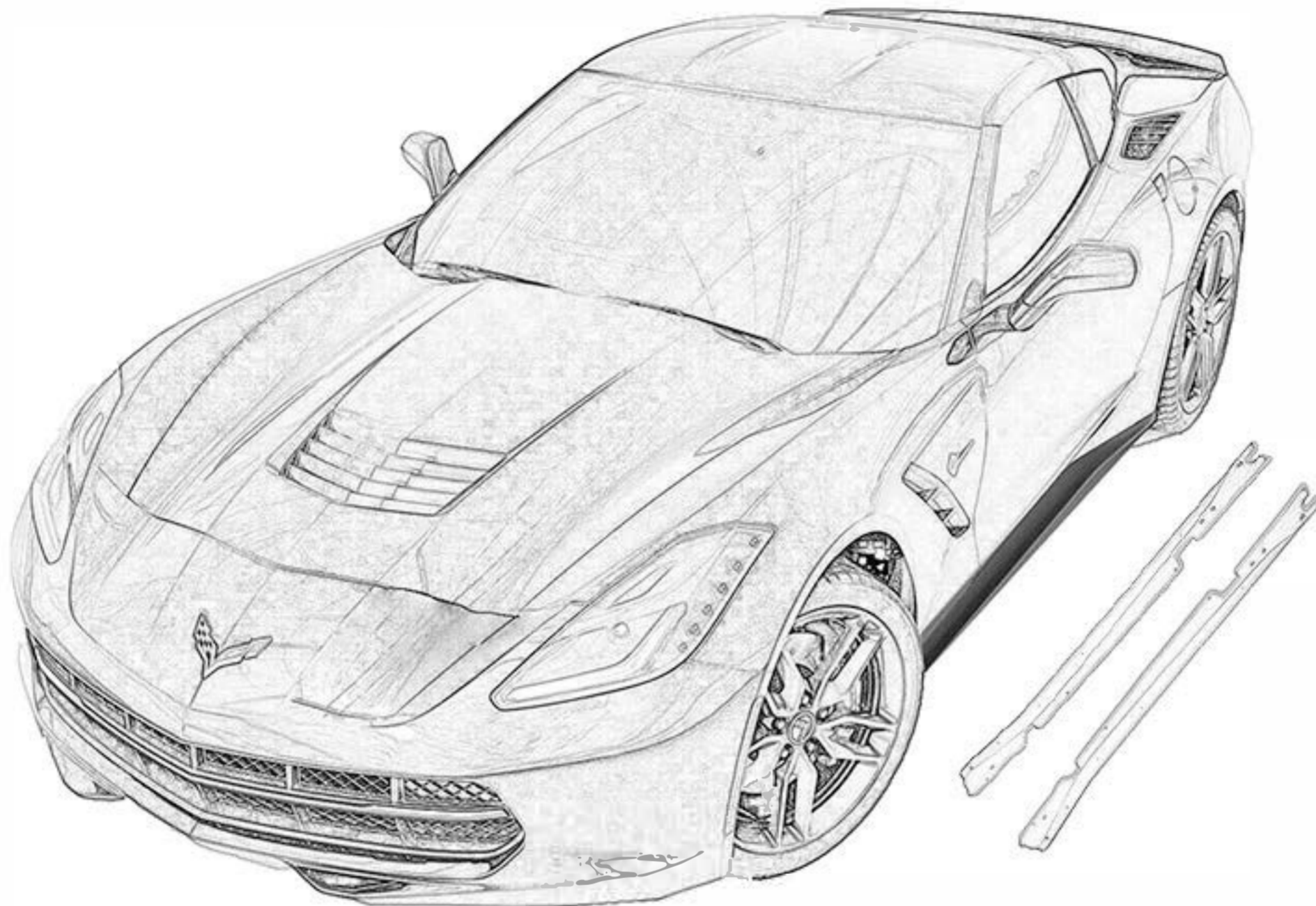


Corvette C7 Stingray

INSTALLATION MANUAL

Chevrolet corvette C7 Bottom Line Side Skirt Installation



**READ CAREFULLY
BEFORE INSTALLATION**

We recommend 2 people for installation

WARNING!!! Please test fit the items before applying paint job.

**WARNING!!! Please be careful when getting in/out the car.
To prevent any damages, avoid stepping on the Side Skirts.**



TOOLS

INSTALLATION MANUAL

Self-tapping screw
(provided)



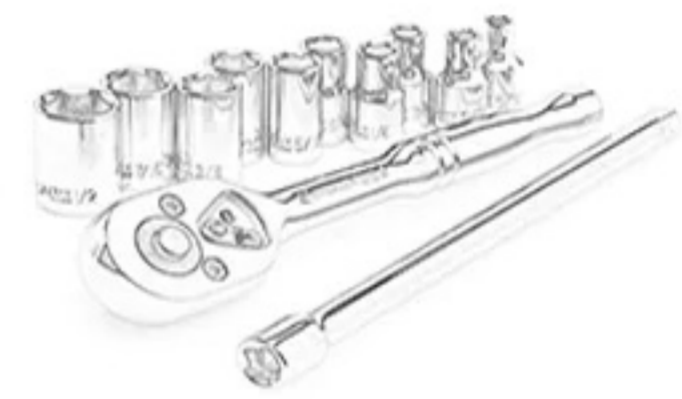
Auto Double-Sided Mounting Tape
(not provided)



Car jack



Socket Wrench



Screw Driver



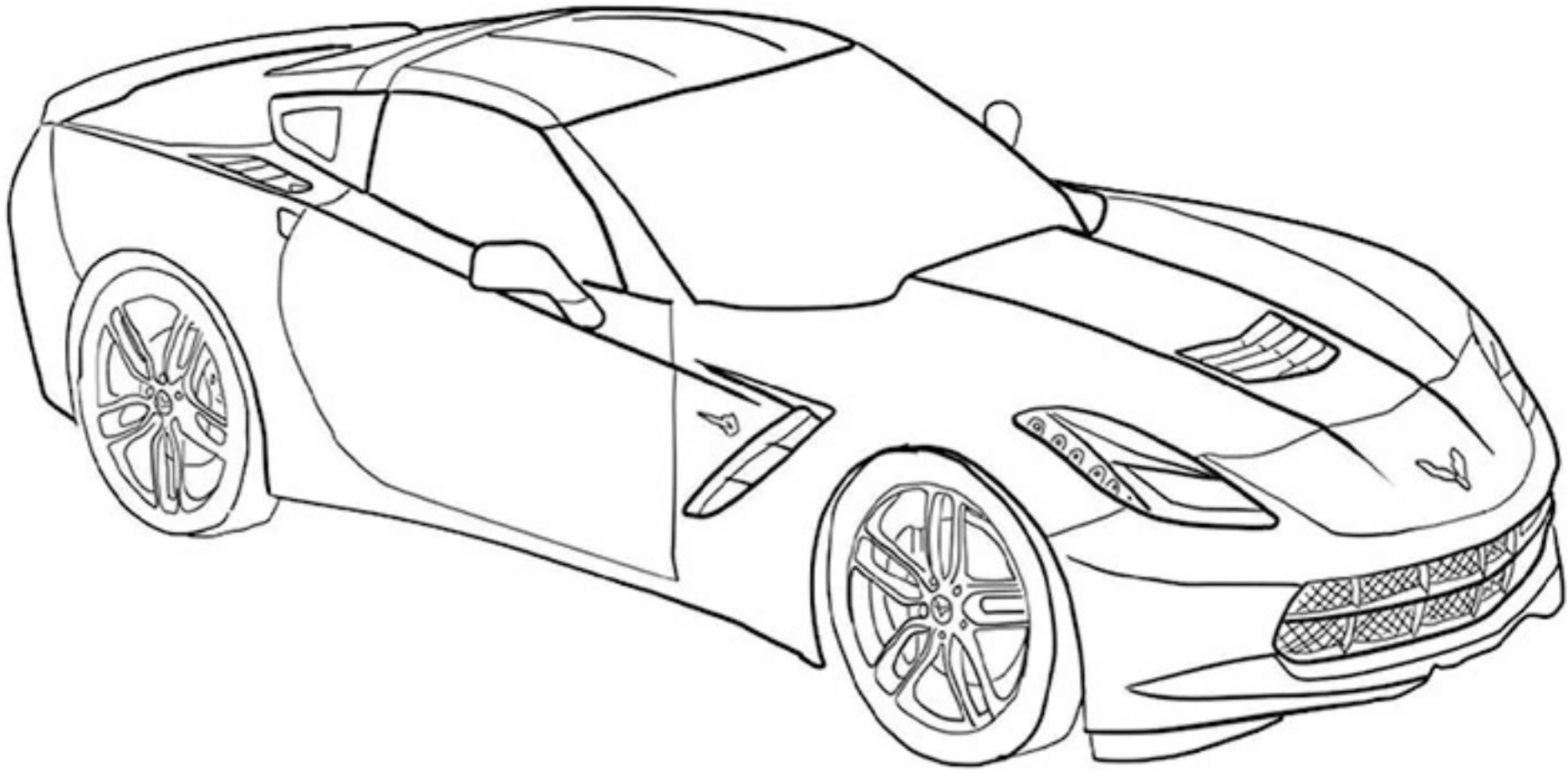
Auto Cleaner



Impact Drive

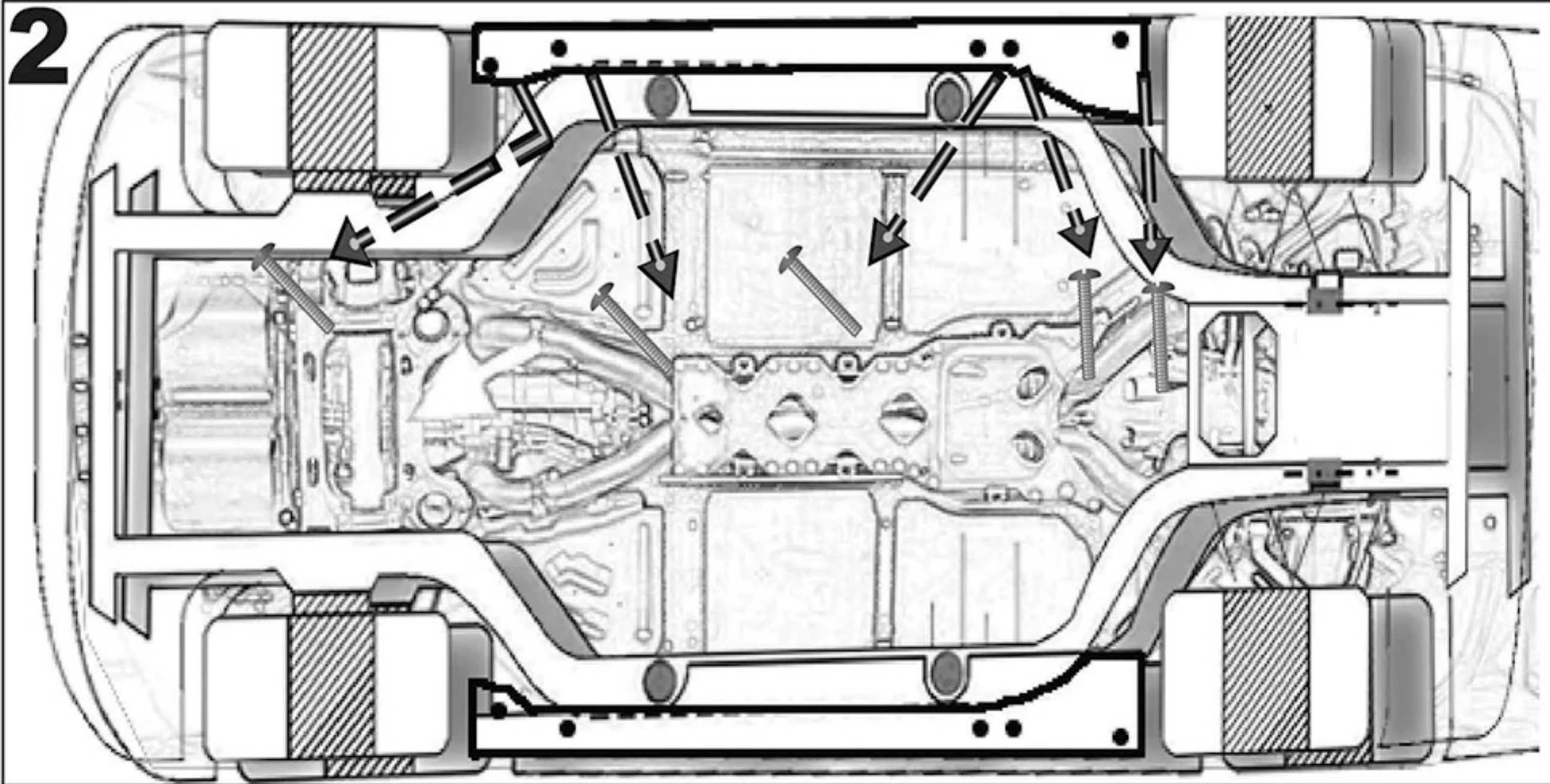


1



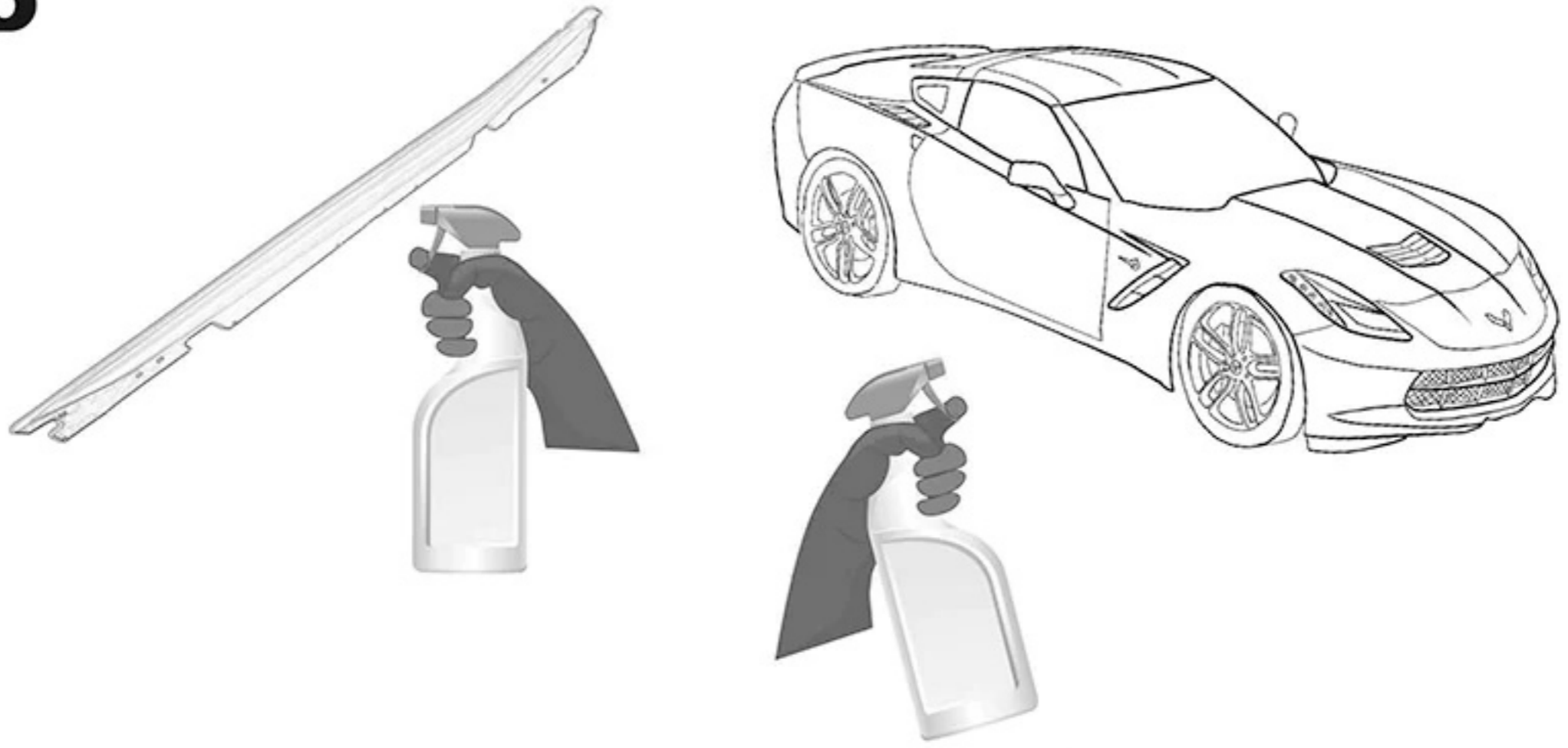
Raise vehicle to a comfortable working height

2



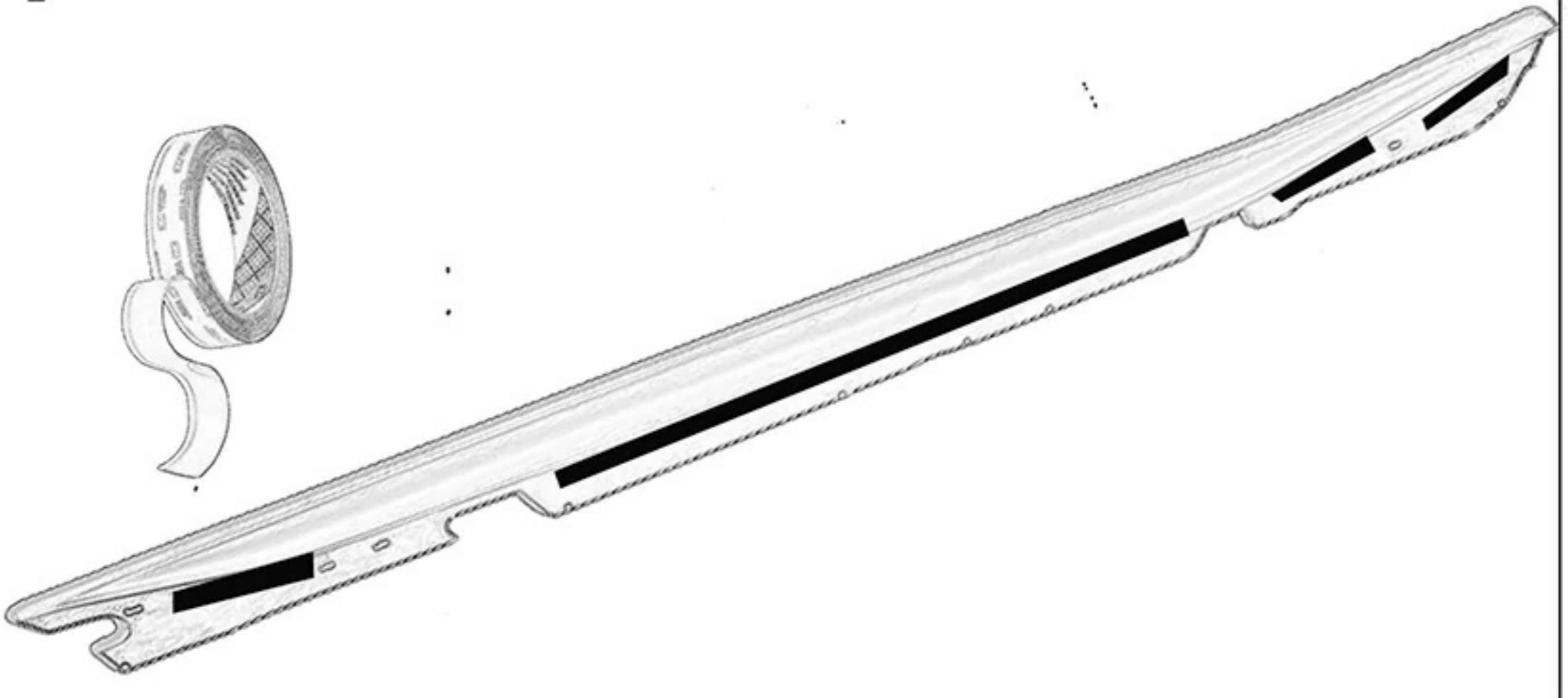
Remove 5 bolts located on the underside of the OEM rocker on each side

3



Clean the painted surface of the original rocker on the car. Ensure the underside portion is free of debris and residue

4



Attach 3M Double Sided Tape (as shown in the picture) onto the Side Skirts, avoid covering the Predrilled holes with the Tape.